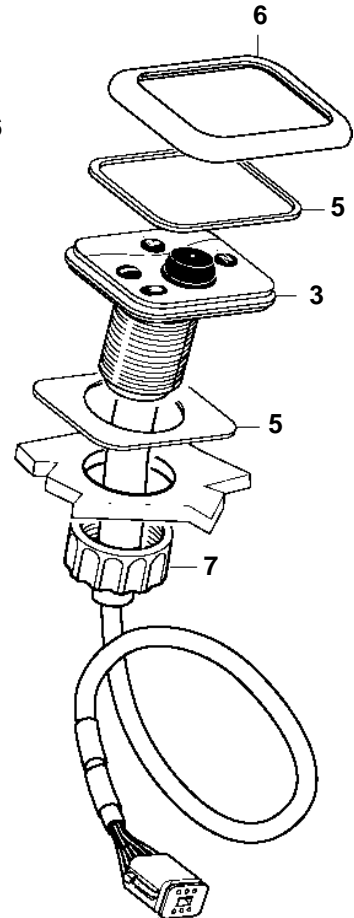
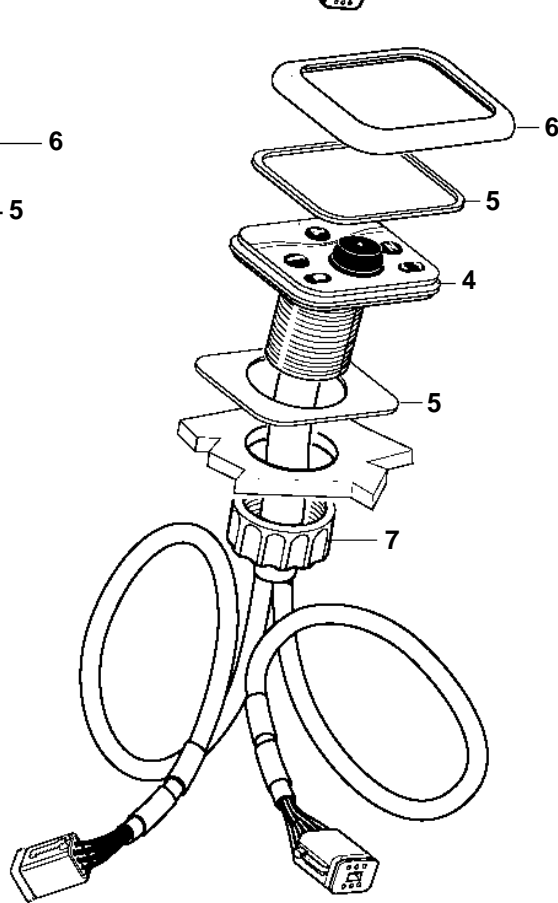
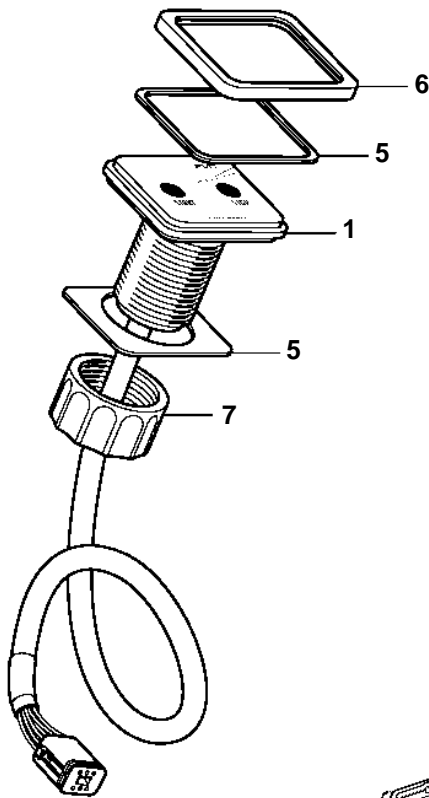
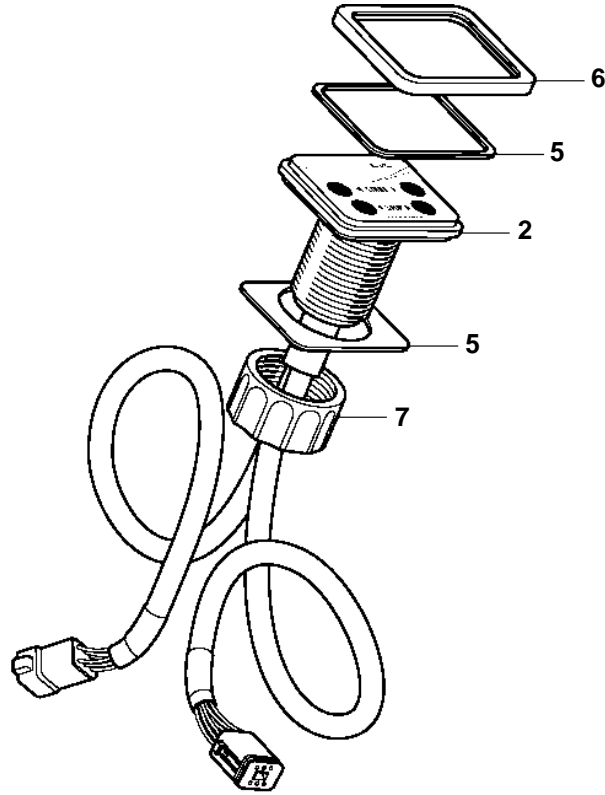
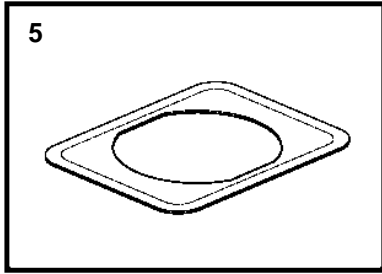


D11A-A



23555

D11A-A

REF	PART NO.	QTY	DESCRIPTION	NOTES
1	3807315	1	Control panel	Single installation
2	3807316	1	Control panel	Twin installation
3	3883350	1	Control panel	Single installation
4	3883351	1	Control panel	Twin installation
5	3808135	1	• Gasket	Also for flushmounting.
6	3808131	1	• Frame	
7	3808134	1	• Nut	